

**A MEANS OF EFFECTING PARTICLE SIZE
DISTRIBUTION IN GLASS FLAKE PRODUCTION**

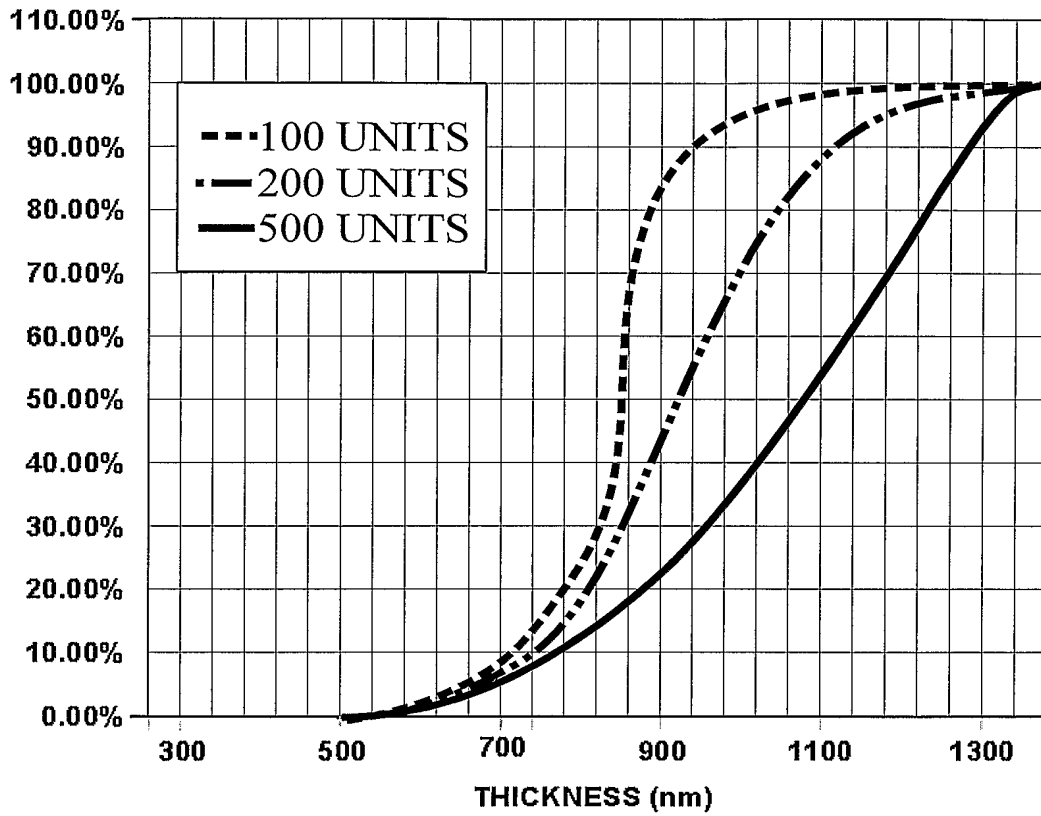


Fig. 1

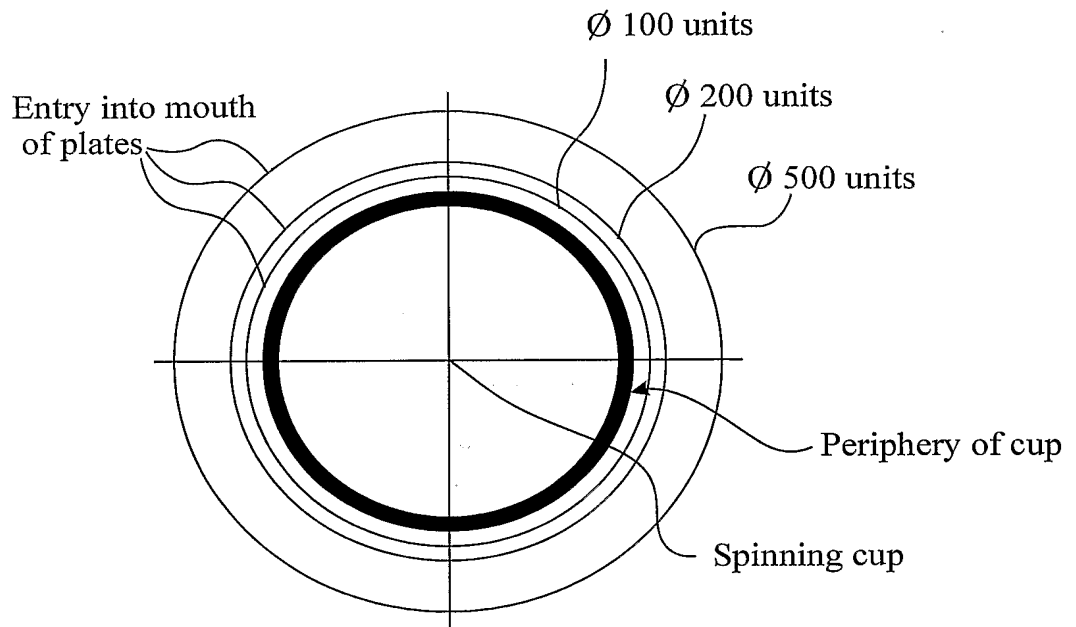


Fig. 2

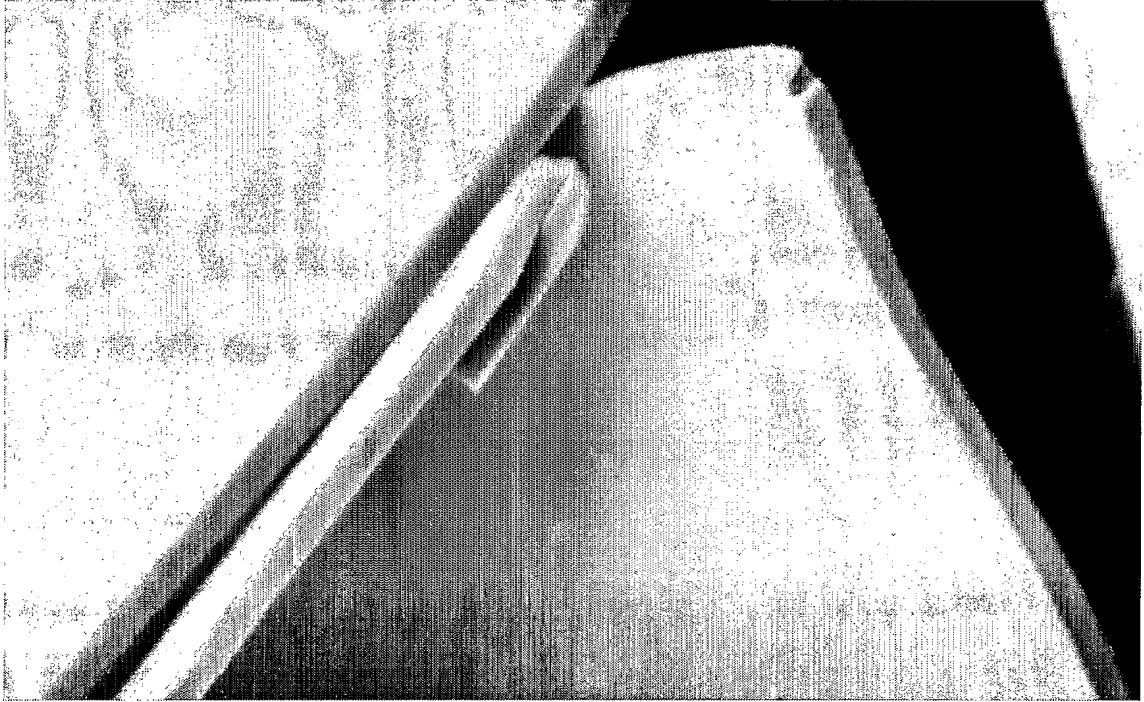


Fig. 3a



Fig. 3b